

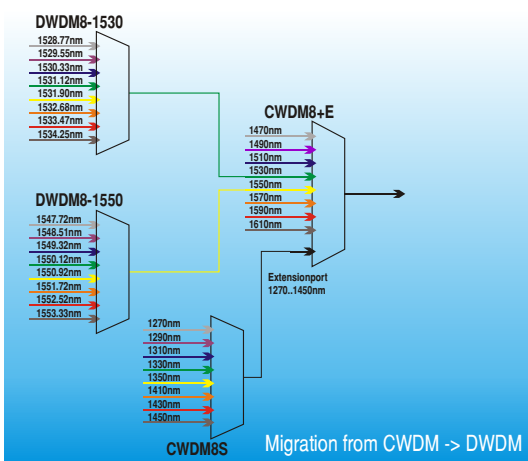
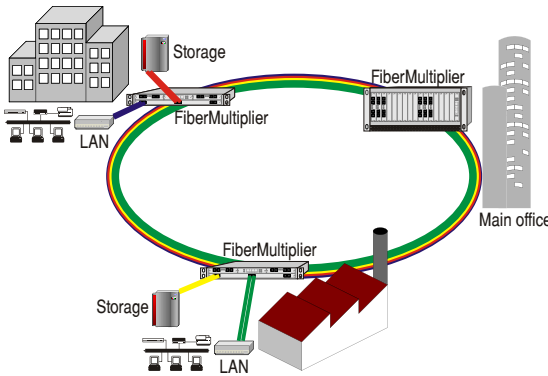
FiberMultiplier - CWDM/DWDM



Communication by light

Gesellschaft für optische Kommunikationssysteme mbH

Transmit new data applications to your remote sites without renting or deploying new fibers!



- ✓ Up to 30 channels over one singlemode fiber;
- ✓ CWDM and DWDM with one hardware platform;
- ✓ FLE-2700 “AnySpeed”:
Only one device for all applications up to 2700 Mbps;
- ✓ Pluggable SFP optics for CWDM and DWDM;
- ✓ Modular and scalable system design:
“Pay when you grow”;
- ✓ Extensive diagnostic e.g. permanent monitoring of every optical level;
- ✓ Web-based / SNMP management.