

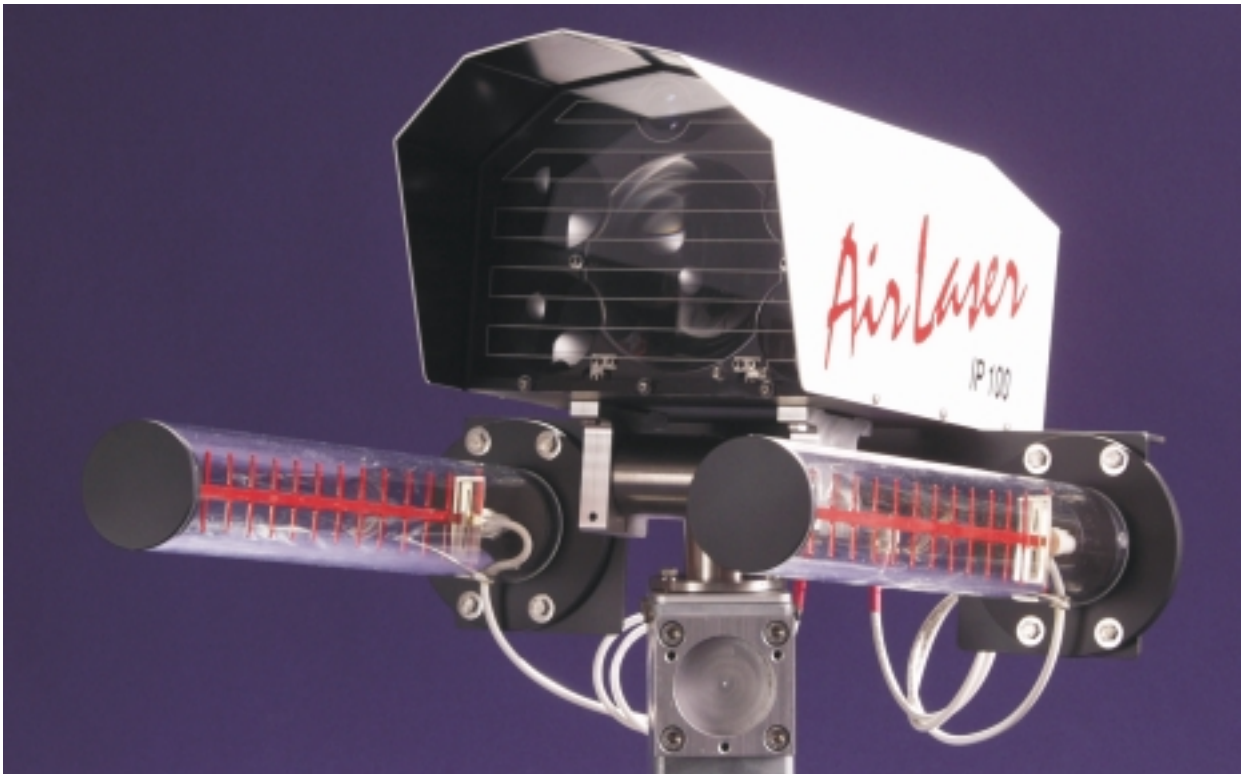


Communication by light

Gesellschaft für optische Kommunikationssysteme mbH

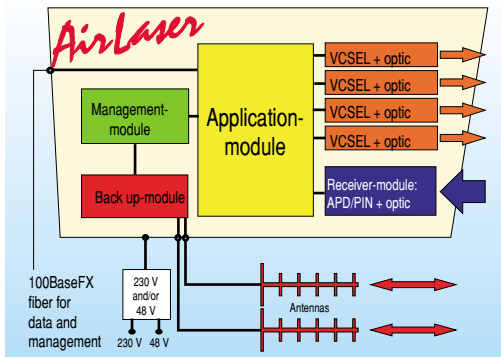
# AirLaser

**No longer failures  
due to weather conditions!**



# AirLaser

- ✓ Wireless optical link for distances up to 2 km;
- ✓ Optimized for full duplex Fast Ethernet link with 100 Mbps data rate;
- ✓ At least weather independence! 99.99 % availability guaranteed through two integrated licence-free radio links as back-up. Permanent monitoring of the optical link enables an automatic switching;
- ✓ A completely new and modular concept turns out to highest investment protection for the user;
- ✓ Reasonable migration from Fast Ethernet to Gigabit Ethernet at distances up to 1000 meters via exchange of the application modules;
- ✓ Extensive inband management via SNMP agent or web-based with standard web browsers such as Netscape or Internet Explorer;
- ✓ Alarms can be transmitted to a maximum of four email addresses;
- ✓ Redundant power supply with 230 or 115 VAC and additional 48 VDC as standard.



## Modularity

AirLaser systems base on a completely modular concept and have very compact dimensions. Around the common optical devices the application-, the management-, and the microwave-backup-modules are arranged. The application-module offers user interfaces, the receiver and transmission unit as well as the interfaces for the additional modules.



## Backup

Using the AirLaser IP100 failures due to weather conditions are not existing anymore because of the optional backup, which can be integrated directly into the system. This back-up, based on an licence free radio system, can easily be appended to the management module. Previous customer solutions with expensive routers or complex configurations do not apply. Also the antennas can be installed by the user.



## Management

The module provides a SNMP agent as well as an integrated webserver for a web-based management. Configuration and controlling takes place via an existing SNMP compatible network management software or a common web browser. Administrators monitor both locations and the actual status of the link within only one overview.

Technical data	AirLaser IP100	AirLaser IP1000	Unit
<b>Transmission</b>			
Distance, max.	2000	1000	m
Data rate	125	1250	Mbps
Back-up data rate	up to 2 x 4.5	-	Mbps
Application	Fast Ethernet	Gigabit Ethernet	-
<b>Air interface</b>			
Transmitter	2/4 VCSEL laser	4 VCSEL laser	-
Power	2/4 x 7.5	4 x 7.5	mW
Aperture	2/4 x 28.25	4 x 28.25	cm <sup>2</sup>
Laser class	1 M (eye safe)		
Divergence	2		mrad
Dynamic	36	30	dB
Receiver	PIN/APD	APD	
Sensitivity	-33 / -43	-33	dBm
Wavelength	850		nm
<b>Interfaces</b>			
Standard	100BaseFX (IEEE 802.3u)	1000BaseSX/LX (IEEE 802.3z)	-
Wavelength	1300	SX: 850, LX: 1300	nm
Fiber	standard: multimode, optional: singlemode		
Connector	standard: duplex SC, others via hybrid couplings		
Power supply	230/115 or/and 48		V
Power consumption	27	35	VA
<b>Additional data</b>			
Operational temperature	-25 ... +50 -13 ... +122	-25 ... +50 -13 ... +122	degrees C degrees F
Weight (w/o holder)	7.5	7.7	kg
Dimensions (w/o antennas)	240 x 190 x 460 (width, height, depth)		mm

Technical specification might change without notice! (Status quo: 03/2001)

## CBL GmbH

Darmstädter Str. 81  
D-64839 Münster  
Tel. +49 6071 / 303 - 0  
Fax +49 6071 / 303 - 499  
<http://www.cbl.de>  
email: [info@cbl.de](mailto:info@cbl.de)